

Measurement of the Degree of Milling

MILLING METER

MM1E



MM1E

The Satake Corporation has developed a new milling meter that simultaneously measures the degree of milling, comparative whiteness and degree of transparency of milled rice samples. This advanced measuring system uses both reflected and absorbed light, producing far greater accuracy than can be obtained with conventional whiteness meters, which measure only reflected light.

1) Three Displayed Milling Indicators

Milling Degree, which is an indicator of the percentage of bran removal, is calculated by a microprocessor from the measured whiteness and transparency values. In addition, Whiteness and Transparency, which are indicators of appearance, are also displayed.

2) Rapid Analysis

The Satake MM1E can accurately analyze a sample within five seconds.

3) Ease of Operation

The Satake MM1E analyzes milled rice without the need for preliminary grading or grinding. It is only necessary to place a rice sample into the sample case and insert the case into the unit. All measurement is accomplished automatically, with no special skills or techniques required by the operator.

4) LCD Touch Sensitive Display of Measured and Average Value

The LCD allows greater reading accuracy. Averaging of up to five sample values is done automatically. Historical store of 999 results.

5) Objective Measurement for Milling Degree

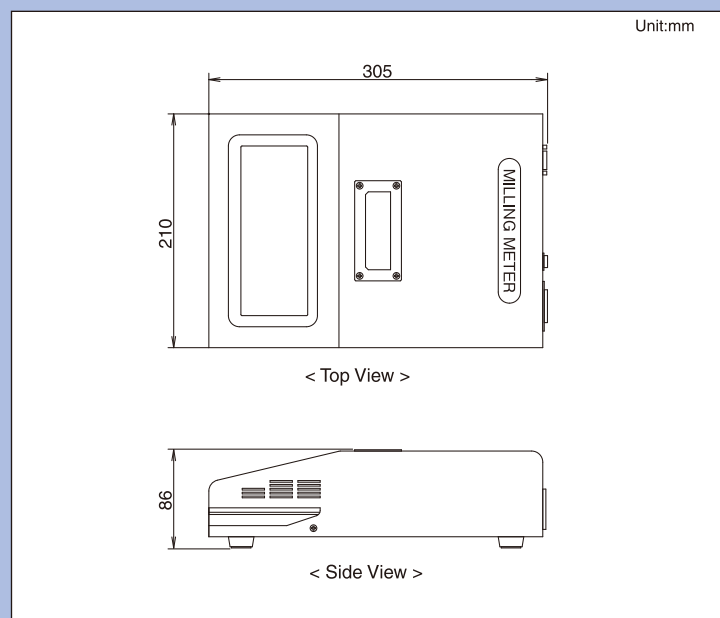
The Satake MM1E eliminates subjective judgments of milling degree. This is especially useful whenever an objective appraisal of milling degree is necessary, such as in the prevention of over-milling and under-milling in rice whitening lines.

MILLING METER

Specifications

Model	MM1E
Measurement Method	Photo diode
Measurement Range	Whiteness : 5.0~70.0% Transparency : 0.01~8.00% Milling Degree Points : 0~199
Light Source	Blue LED
Power Source	AC90~240V, 50/60Hz Single Phase

Dimensions



Model	Net Weight(kg)
MM1E	3.5

All copyright and trademark rights of this catalog belong to Satake Co., unless otherwise noted. Unauthorized copying, reprinting, etc. are forbidden. All Satake products are the subject of continuous development and, as a result, their specification may change and differ in detail from those shown.

SATAKE CORPORATION

Head Office
2-30 Saijo Nishihonmachi,
Higashi-Hiroshima-shi, Hiroshima-ken,
739-8602, Japan
URL : <https://satake-group.com>

Korea Branch
Daekyo Building, 16F, 239,
Daedeok-daero, Seo-gu, Daejeon,
35229, Korea
URL : <https://satake-group.com>

SATAKE USA INC.
10900 Cash Road,
Stafford, Texas, 77477, U.S.A.
URL : www.satake-usa.com

SATAKE AMERICA LATINA LTDA.
Rua Xavantes, 155-Pav. 20, Bairro
Atiradores, CEP 89203-210, Joinville,
Santa Catarina, Brazil
URL : www.satake.com.br

SATAKE EUROPE LTD.
Horsfield Way, Bredbury Industrial Park,
Bredbury, Stockport, Cheshire, SK6 2SU,
U.K.
URL : www.satake-europe.com

SATAKE INDIA ENGINEERING PVT. LTD.
4th Floor, Tower-1, HB Twin Towers, A2,
3, 4, Netaji Subhash Place, Wazirpur
District Centre, New Delhi, 110034, India
URL : www.satakeindia.com

SATAKE (THAILAND) CO., LTD.
133,134 Moo 5, Bangkadi, Mueang
Pathum Thani, Pathum Thani 12000,
Thailand
URL : www.sataketh.com

SATAKE ASIA CO., LTD.
888/84 Mahatun Plaza Bld., 8th Floor,
Ploenchit Rd., Lumpini, Pathumwan,
Bangkok, 10330, Thailand
URL : www.sataketh.com

PT. SATAKE GOBEL INDONESIA
Gedung Surabaya Bumi Mandiri, Lantai
9, Jalan Jenderal Basuki Rachmat Nomor
129-137, Unit 905 B, Indonesia
URL : <https://satake-group.com>

SATAKE VIETNAM CO., LTD.
Copac Square 12 Ton Dan street, Floor
3A, Ward 13, District 4, HCMC, Vietnam
URL : <https://satakevietnam.com>

SATAKE MANUFACTURING (SUZHOU) CO., LTD.
229 Jin Feng Road, Suzhou New
District, Suzhou City, Jiangsu Province,
215129, China
URL : www.satake.cn

SATAKE AUSTRALIA PTY. LTD.
15 Leland Street, Penrith, N.S.W.,
2750, Australia
URL : www.satake.com.au

ISO 9001 Certification
(Quality Management Systems)

ISO 14001 Certification
(Environmental Management Systems)

SATAKE CORPORATION has obtained
ISO9001 and ISO14001 certification.
These international standards for management
systems ensure Satake will continue to provide
high quality products and services.